

Features

- Universal input 100~240VAC
- Approved to CE, cULus, RCM (C-Tick)
RoHS & REACH
- UL/EN/IEC 62368-1 Safety Approved
- Meets Efficiency Level VI
- FCC Class B Certified
- Single Output 12~48V DC
- OVP, OCP, OTP, SCP



Image for Illustration Purposes
Models may vary

Ideal Power's 15DYS6150-xyP-RS 150W AC/DC External Desktop Power Supply (PSU) Series are certified to CE, cULus, TUV, RCM (C-Tick), RoHS, REACH & EN 62368-1/IEC 62368-1/UL 62368-1 Standards and comply with (EU) 2019/1782, Level VI Efficiency Regulations. These are primarily used in ITE, Audio & Video Industries and customised solutions are available upon request.

Models

Model Number	Output Voltage	Output Current	Output Power
15DYS6150-1201000P-RS	12V DC	10A	120W
15DYS6150-1800770P-RS	18V DC	7.7A	138.6W
15DYS6150-2400625P-RS	24V DC	6.25A	150W
15DYS6150-3000500P-RS	30V DC	5A	150W
15DYS6150-3600416P-RS	36V DC	4.16A	150W

Input Data

	Min	Typical	Max	Units	Notes
Input Voltage	90	--	264	V AC	100-240VAC +/- 10%
Input Frequency	47	--	63	Hz	50-60Hz +/- 5%
Input Current	--	--	1.5	A	
Inrush Current	0	--	80	A	At cold start, 100 / 240V AC
Leakage Current	--	--	0.25	mA	

Output Data

	Min	Typical	Max	Units	Notes
Output Voltage	--	5	--	%	
Ripple & Noise	--	200	--	%	
Over Current Protection	--	>12	--	--	Typically, 115-135% of Rated Current
Short Circuit Protection					Continuous short circuit proof. Will recover if fault condition is removed
Over Voltage Protection					Will recover if fault condition is removed

Environmental Data

	Min	Typical	Max	Units	Notes
Operating Temperature	0		+45	°C	
Storage Temperature	-20		+80	°C	
Operating Humidity	10		90	°C	Operating 10% to 90%
Storage Humidity	5		95	°C	Storage 5% to 95%

Other Information

	Min	Typical	Max	Units	Notes
Isolation	--	--	--		Primary to Secondary: 4242VDC/5mA Max (3 seconds)
MTBF	--	50000	--	hrs	At 25°C, Full load and nominal
Weight					450 g -10/+10 Depending on model
Dimensions					Refer to mechanical drawings

EMC Emissions (2014/30/EU)

	Standard	Test Level	Criteria	Notes
Conducted	EN 55032	Pass	B	EMC Directive 2014/30/EU
Radiated	EN 55032	Pass	B	

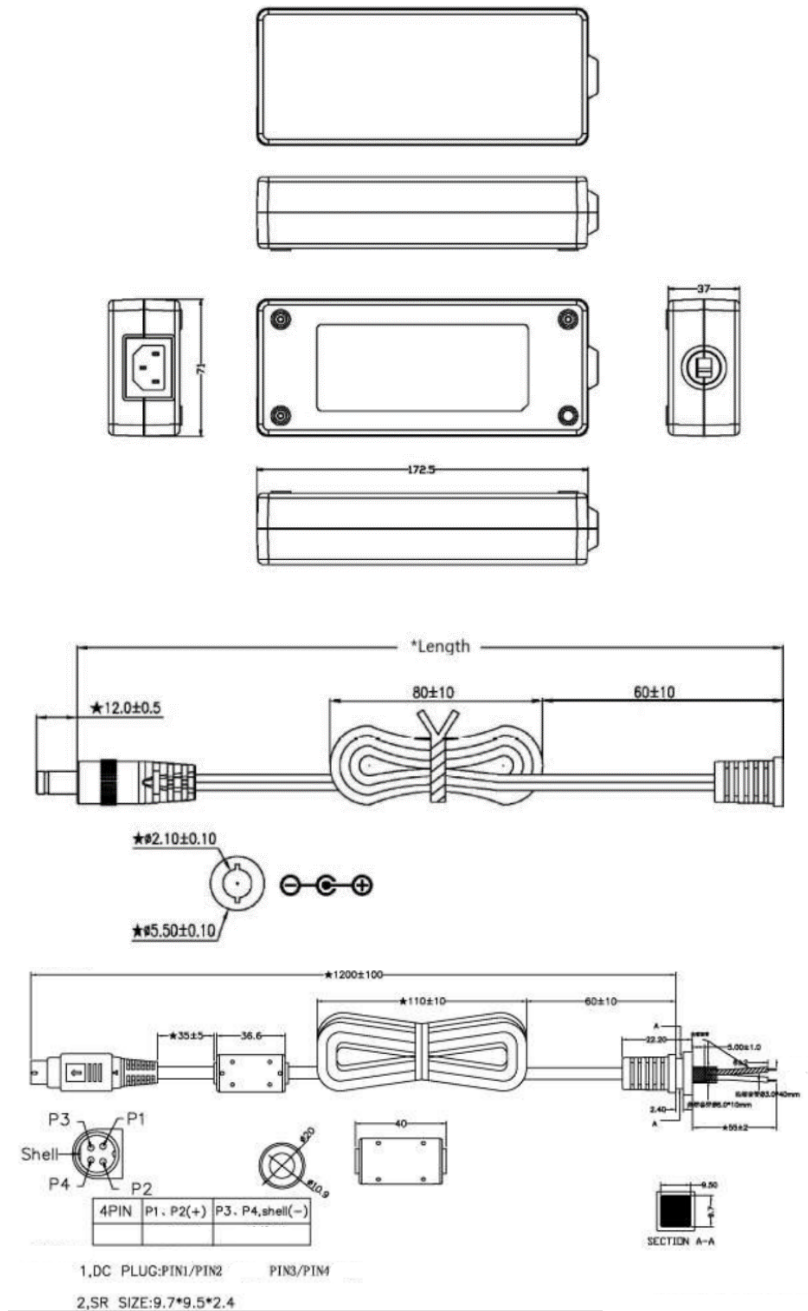
EMC Immunity (2014/30/EU)

	Standard	Test Level	Criteria	Notes
EMS	EN 55035			
ESD	IEC 61000-4-2		B	Contact: +/- 4KV; Air: +/- 8KV
EFT	IEC 61000-4-4		A/B	0.5/1.0KV on input AC power ports
Surge	IEC 61000-4-5		A	Differential mode: +/- 2KV, Common mode: +/- 2KV

Safety Approvals

	Safety Standards
RoHS/REACH	RoHS Directive (EU) 2015/863 & REACH (205 SVHC)
CE LVD Directive 2014/35/EU	Yes (UK/European)
cULus	Yes
TUV	Yes
RCM & C-Tick	Yes

Mechanical Drawing



Cable Length

Model Number	Output Cable
15DYS6150-1201000P-RS	1.2m UL1185 14AWG 3 PIN
15DYS6150-1800770P-RS	1.2m UL1185 14AWG 3 PIN
15DYS6150-2400625P-RS	1.5m UL2468 18AWG 2.1x5.5mm
15DYS6150-3000500P-RS	1.5m UL2468 18AWG 2.1x5.5mm
15DYS6150-3600416P-RS	1.5m UL2468 18AWG 2.1x5.5mm